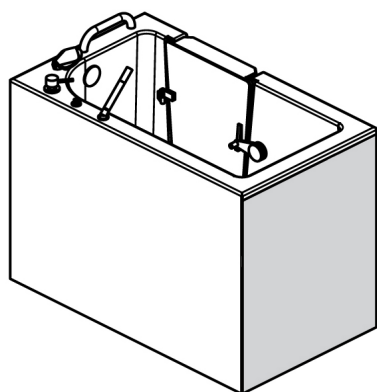


TECHNICAL DRAWING

PHOTO



PRODUCT FAMILY: BATH TUBS

CODE: VS005

DESCRIPTION:

VS005: Bathtub with front door and inward opening and removable seat. Faucets not included. External dimensions 1100 x 750 x 915 mm.
 VS005-RDX: Bathtub with front door and inward opening and removable seat. Faucets on the right-hand side. External dimensions 1100 x 750 x 915 mm.
 VS005-RSX: Bathtub with front door and inward opening and removable seat. Faucets on the left-hand side. External dimensions 1100 x 750 x 915 mm.

MECHANICAL PERFORMANCES:

Internal dimensions 940 x 600 x 720 mm. Door width 450 mm.

APPROVALS/CERTIFICATIONS:

TUV system certification UNI EN ISO 9001:2008.
 Declaration of Conformity according to European Medical Device Directive 93/42.
 Reference regulations: Pr EN 1874; UNI EN 12182; UNI CEI EN ISO 14971; UNI EN 1041.

PRODUCT FEATURES:

Bathtub made of acrylic material, complete with removable seat and watertight door with inward opening. The door features adjustable hinges to ensure a perfect water tightness.
 The panels can be removed for inspection and the feet height is adjustable. The bathtub can be installed in the middle of the wall or in a corner (right- or left-hand side).
 VS005-RDX e VS005-RSX models, single-lever mechanical mixer is included, complete with shower head and flexible hose.
 Stainless steel grab bar (art. M26) and supplementary side panel (art. VS005-PANL) are sold as options.

FIXING/INSTALLATION:

Free-standing bathtub with height-adjustable feet: we recommend keeping a 50mm space between the floor and the panels to ensure a correct ventilation and prevent humidity.
 Check the instruction sheet for a correct installation of the bath tub, of the faucet (if included) and for the door adjustment.

MAINTENANCE:

Free-standing bathtub with height-adjustable feet: we recommend keeping a 50mm space between the floor and the panels to ensure a correct ventilation and prevent humidity.
 Check the instruction sheet for a correct installation of the bath tub, of the faucet (if included) and for the door adjustment.

PRODUCT COMPOSITION:

- N° 1 Chassis
- N° 1 Frame
- N° - Faucet
- N° 3 Panels
- N° 1 Door gasket
- N° 1 Door handle

MATERIALS:

- PMMA/ABS 8mm sheet with polyurethane resin reinforcement
- Steel
- Brass, ABS, Zamak
- PMMA/ABS multilayer
- Expanded rubber
- Stainless steel

TREATMENTS:

- Black - Zinc-coated
- Chrome-plated
- Cast

TOLERANCES:

PRODUCT PACKAGING:

Packed in cardboard box, positioned on pallet.
Weight: kg

ST_PRODOTTO: VS004APANSX	APPROVATO R.T. - 1
REV.00 DEL 28/04/14	

THERMOMAT SANILINE SRL

Via M. Curie, 7 - 46034 Borgo Virgilio (Mantova) ITALY
 Tel. + 39 0376 4473
 www.thermomat.com - e-mail: info@thermomat.com

