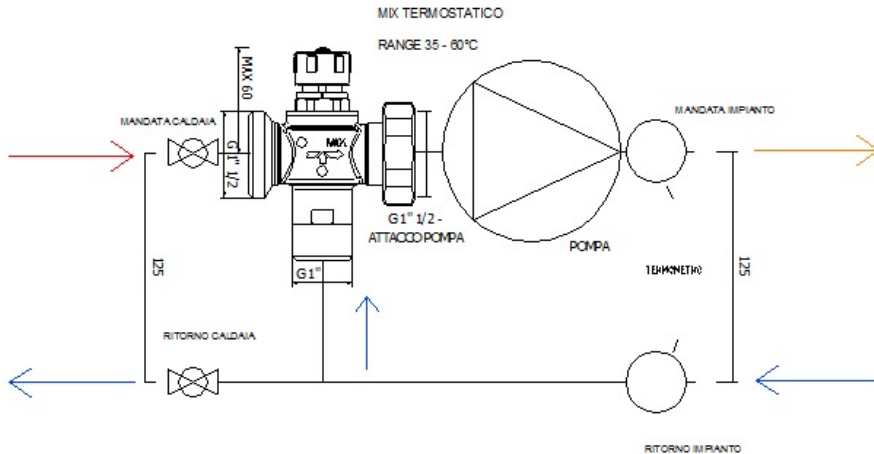
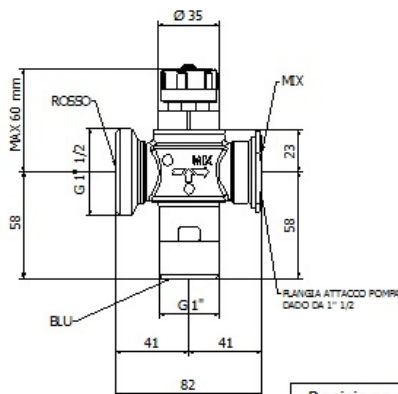


TECHNICAL DRAWING



Posizione manopola	MIN	1	2	3	4	5	MAX
Temperatura (°C)	-	35	42	49	55	60	-

PHOTO



PRODUCT FAMILY: THERMOSTATIC MIXER - THERMO-R SERIES

CODE: TMR112M35

DESCRIPTION: thermostatic mixer "L" for heating, setting range 20-47°C, outlet with flange pump connection G 1" 1/2.

HYDRAULIC PERFORMANCES:

Particularly suitable for heating systems where it is necessary to constantly adjust the temperature of the hot water flow.

They also can be used in radiant panel systems and sanitary systems in order to regulate water temperature.

APPROVALS/CERTIFICATIONS:

TUV system certification UNI EN ISO 9001:2008

PRODUCT FEATURES:

The thermostatic mixing valves regulate to a predetermined value the water temperature automatically by mixing the hot delivery water and the cold water.

It allows maximum comfort, a considerable economy of water and energy.

The temperature range is between 35 and 60°C, and it is ideal for heater heating system.

Connections are: RED 1"1/2G male, BLU 1" G male, mix flange pump connection suitable for 1"1/2 nut.

Separately KIT 10 can be purchased: 1"1/2 nut for outlet flange.

The shape of the body with 90° input connections (red-blue) is particularly suitable in all applications in which the outlet and inlet pipes are positioned in parallel, or in case the valve shall be installed in temperature control units where the centre distance of mm 125 between the feed and return pipes must be respected.

TECHNICAL DATA:

Inlets: RED 1" 1/2 G male, BLU 1" G male

Outlet: flange for pump connection 1" 1/2 G nut (not included)

Maximum working pressure: 10 bar

Reccomended pressure: 0÷5 bar

Maximum inlet temperature: 90°C

Setting range: 35÷70 °C

KV: 2,7 m3/h

FIXING/INSTALLATION:

Follow the instructions for the connections.

RED= hot water inlet (delivery water)

BLUE= cold water inlet (system return water)

Mix= mixed water outlet

-if the feeding water contains foreign bodies, we reccomend installing filters.

ST_PRODOTTO: TMR112M35

APPROVATO
- 1
R.T.

REV.00 DEL 12/09/14

The above mentioned information cannot be considered as binding. Thermomat Saniline S.r.l. reserves the right to make technical and aesthetic changes without any prior notice.

Thermomat Saniline s.r.l.

Via M. Curie, 7 - 46034 Borgo Virgilio (Mantova) ITALY

Tel. + 39 0376 4473

www.thermomat.com - info@thermomat.com



Company with Quality Management System certified according to the standard UNI EN ISO 9001:2015

PRODUCT LISTING:

Body: forged sandblasted brass UNI EN 12165 CW617 N
Shutter and internal elements: Brass UNI EN 12164 CW614 N
O-RING NBR
Thermo-sensitive wax element
Stainless steel spring INOX AISI 302
Nylon handle PA6

PRODUCT PACKING:

Packed according to needs
Weight 0,63 kg (without packing)

ST_PRODOTTO: TMR112M35

APPROVATO
- 1
R.T.

REV.00 DEL 12/09/14

The above mentioned information cannot be considered as binding. Thermomat Saniline S.r.l. reserves the right to make technical and aesthetic changes without any prior notice.

Thermomat Saniline s.r.l.

Via M. Curie, 7 - 46034 Borgo Virgilio (Mantova) ITALY

Tel. + 39 0376 4473

www.thermomat.com - info@thermomat.com



Company with Quality Management System certified according to the standard UNI EN ISO 9001:2015