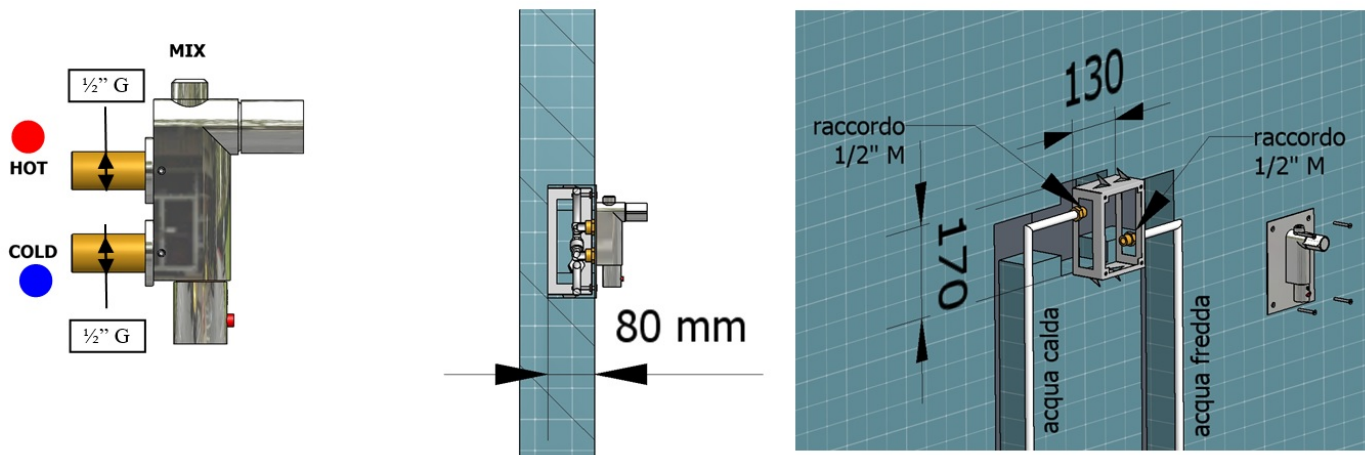


TECHNICAL DRAWING



PHOTO



**PRODUCT FAMILY:** THERMOSTATIC FAUCETS

**CODE:** TMTICRVGC

**DESCRIPTION:** Compact thermostatic shower mixer, featuring small dimensions, suitable for built-in wall installation

**APPROVALS/CERTIFICATIONS:**

TUV system certification UNI EN ISO 9001:2008.

**PRODUCT FEATURES:**

Compact thermostatic shower mixer, featuring small dimensions, suitable for built-in wall installation.

The thermostatic mixer adjust the temperature of hot sanitary water at a pre-fixed value, it allows to have a constant temperature water ensuring an high comfort, saving hot water and avoiding scalds.

**TECHNICAL DATA:**

Maximum static pressure: 1.000 Kpa (10 Bar)

Working pressure: 100 ? 500 Kpa (1÷ 5 Bar)

Inlet maximum temperature: 85°C

Temperature range: 20 ?50 °C (hot 65°C – cold 15°C – pressure 3 bar)

Adjusting accuracy: ± 2°C

Maximum pressure difference between inlets: 0,5 Bar

Locking button 38°C

Flow rate at 38°C : 24 l/min at 3 bar

**FIXING/INSTALLATION:**

Install the metal box for concealed wall mounting, after having created a suitable

seat inside the wall.

Arrange for hot and cold water delivery inside the metal box using 1/2" G male

connection.

Follow the connections indicated on the back of the mixer body with coloured marks.

Fasten the plate to the metal box with the included screw.

**MAINTENANCE:**

Periodically check the correct installation of the product.

Use water and soap or other suitable product to clean the external body of the mixer.

Avoid chemicals or abrasive cleaning agents. Dry with a soft cloth.

For extraordinary maintenance (cleaning cartridge) see instruction sheet complete.

ST_PRODOTTO: TMTICRVGC - 1	APPROVATO R.T.
REV.00 DEL 10/10/2014	

The above mentioned information cannot be considered as binding. Thermomat Saniline S.r.l. reserves the right to make technical and aesthetic changes without any prior notice.

**Thermomat Saniline s.r.l.**

Via M. Curie, 7 - 46034 Borgo Virgilio (Mantova) ITALY

Tel. + 39 0376 4473

www.thermomat.com - info@thermomat.com



**Company with Quality Management System certified according to the standard UNI EN ISO 9001:2015**

<b>PRODUCT LISTING:</b> Body: chrome-plated forged brass UNI EN 12165 CW617N – sandblasted and polished Shutter and internal elements: brass UNI EN 12164 CW614 N Spring: stainless steel INOX AISI 302 o'ring: NBR Knobs: ABS Thermo-sensitive element wax Connections: ½" G Stop tap ceramic disks	<b>MATERIALS:</b>	<b>TREATEMENTS:</b>	<b>TOLERANCES:</b>
			<b>PRODUCT PACKING:</b> package 150x55x170

ST_PRODOTTO: TMTICRVGC - 1	APPROVATO R.T.
REV.00 DEL 10/10/2014	

The above mentioned information cannot be considered as binding. Thermomat Saniline S.r.l. reserves the right to make technical and aesthetic changes without any prior notice.

**Thermomat Saniline s.r.l.**

Via M. Curie, 7 - 46034 Borgo Virgilio (Mantova) ITALY

Tel. + 39 0376 4473

www.thermomat.com - info@thermomat.com



**Company with Quality Management System certified according to the standard UNI EN ISO 9001:2015**