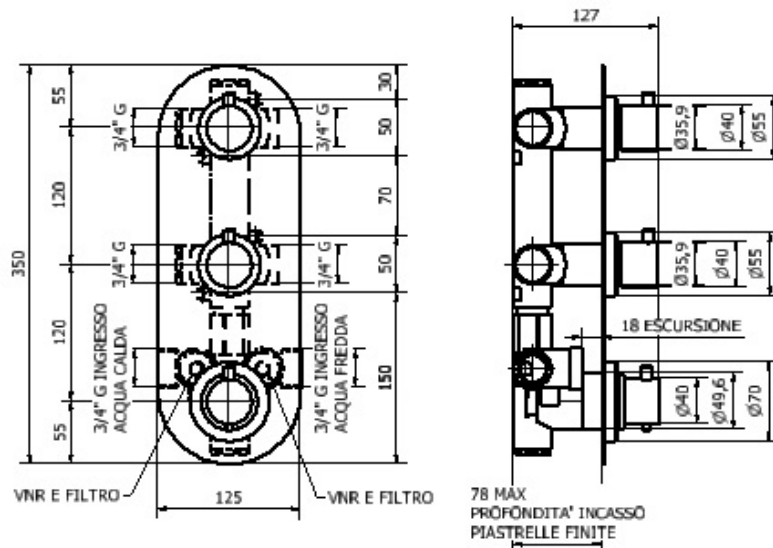
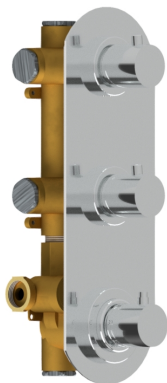


TECHNICAL DRAWING



PHOTO



PRODUCT FAMILY: IN LINE THERMOSTATIC TAPS

CODE: TMTIL2R34ML

DESCRIPTION:

3/4" Built-in thermostatic mixer - 2 in-line taps. Minimal finishing

HYDRAULIC PERFORMANCES:

Open outlet flow rate: over 40,0 l/min (3 bar).

3/4" Thermostatic mixer, taps and connections.

APPROVALS/CERTIFICATIONS:

TUV system certification UNI EN ISO 9001:2008.

ACS and WRAS certified thermostatic cartridge.

PRODUCT FEATURES:

3/4" Built-in thermostatic mixer - 2 in-line taps.

The thermostatic mixing valve adjusts the water temperature at a preset value by automatically mixing hot and cold water, regardless of variations in pressure and temperature of the inlet water.

Therefore, it allows the utmost comfort, a considerable energy saving and avoids the danger of accidental scalding.

The peculiarity of the collector in line with taps consists in the possibility to operate each taps independently of the others , which are located upstream or downstream .

3/4" connections offer a good and high flow rate.

3/4" Caps are supplied with the product in order to close the unused outlets.

Brass body, chrome plated brass fittings, chrome-plated ABS knobs, DZR collector body, brass chrome plated and polished plate.

Scaled knob for temperature adjustment with lock button at 38°C.

Interchangeable cartridge with filters and check valves on the inlets.

Ceramic disc tap with 90° rotation.

The filters and the check valves can be easily inspected.

Installation depth from 60 to 80 mm.

With cover to protect the thermostatic mixer during wall installation operations.

The above mentioned information cannot be considered as binding. Thermomat Saniline S.r.l. reserves the right to make technical and aesthetic changes without any prior notice.

ST_PRODOTTO: TMTIL2R34ML - 1	APPROVATO R.T.
REV.00 DEL 17/12/15	

TECHNICAL DETAILS:

Connections: 3/4" G female
 Maximum pressure (static): 1.000 KPa (10 Bar)
 Working pressure (dynamic): 100÷500 KPa (1÷ 5 Bar)
 Maximum temperature inlet: 85°C
 Handle control range: 20÷50°C
 Safety block: 38°C
 Open outlet flow rate: 40,0 l/min (3 bar)
 3/4" Ceramic disc tap with 90° rotation.
 Connections can be easily inspected with check valves and filters
 Installation depth from 60 to 80 mm.

FIXING/INSTALLATION:

MAINTENANCE:

DO NOT use steel wool or cleaning agents containing alcohol, chlorine, acids, abrasives or similar.
 The use of any of the prohibited products for cleaning or maintenance could damage the surface of the faucet.
 To clean the surface use ONLY soap and water, then dry with a clean cloth or towel.
 Do not use abrasive or rough sponges

PRODUCT LISTING:

N° 1 Concealed body - Cast brass UNI EN 12165 CW617N
 N° - Shutter and internal parts - brass UNI EN 12164 CW614N
 N° - Springs - Stainless steel AISI 302
 N° 1 O-ring - NBR
 N° 3 Handles - Chrome-plated ABS
 N° 1 Plate - Polished and chrome-plated brass
 N° 2 Tap - brass with ceramic discs

TOLERANCES:

PRODUCT PACKAGING:
 Packed in cardboard box.
 Weight: 5,2 kg without packing

N° 1 collector - DZR

The above mentioned information cannot be considered as binding. Thermomat Saniline S.r.l. reserves the right to make technical and aesthetic changes without any prior notice.

ST_PRODOTTO: TMTIL2R34ML - 1	APPROVATO R.T.
REV.00 DEL 17/12/15	

Thermomat Saniline s.r.l.
 ISO 9001 Quality Management System certified by TÜV Italia Srl since 2005
 Via M. Curie, 7 - 46034 Borgo Virgilio (Mantova) ITALY
 Tel. + 39 0376 4473
 www.thermomat.com - info@thermomat.com