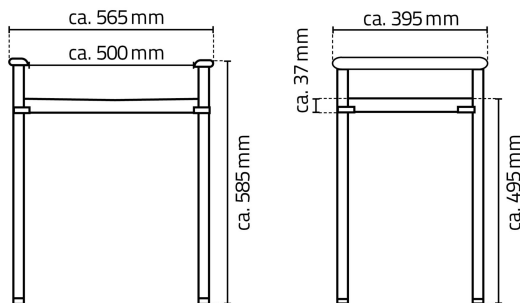


TECHNICAL DRAWING



PHOTO



PRODUCT FAMILY: SHOWER AND BATHTUB SEATS
CODE: SGB-BR
DESCRIPTION: bathroom stool with arms.

MECHANICAL PERFORMANCE:
 Maximum load 150 kg.

CERTIFICATIONS:
 TUV system certification UNI EN ISO 9001:2008. LGA tested

PRODUCT FEATURES:

Bathroom stool with arms. Aluminium frame, polyurethane foam. Height of the seat 49 cm.

FIXING (INSTALLATION):

Place on the floor checking the stability before use.
 Carefully follow the instructions included.

MAINTENANCE:

Check the correct fastening of the accessories periodically.
 Perform a proper cleaning with water and soap, do not use abrasive or corrosive agents or coarse sponges., do not cut.

PRODUCT COMPOSITION:

N° 1 Complete stool - Aluminium - polyurethane foam

PRODUCT PACKAGING:

Packed in cardboard box.
 Weight: 2 kg

ST_PRODOTTO: SGB-BR	APPROVATO R.T.
REV.00 DEL 22/02/2023	