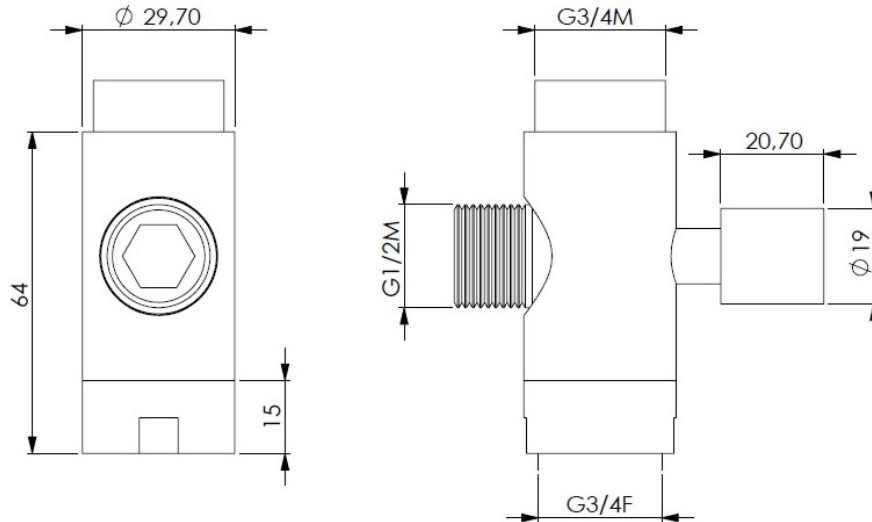


TECHNICAL DRAWING



PHOTO



**PRODUCT FAMILY:**

**CODE:** 498

**DESCRIPTION:** Cable pull diverter for outside shower mixer

**MECHANICAL PERFORMANCES:**

**APPROVALS/CERTIFICATIONS:**

TUV system certification UNI EN ISO 9001:2008.

**PRODUCT FEATURES:**

Cable pull diverter water inlet 3/4", outlet for hand shower da 1/2" outlet for shower column 3/4". To be used with shower mixer outside installation cold body RUMT201CFS34. Brass chromed finishes.

**FIXING/INSTALLATION:**

Fasten the diverter to the outlet of the mixer RUMT201CFS34.  
Fasten the flexible to the hand shower to the outlet 1 / 2 " of the diverter  
Fasten the shower column to the outlet 3 / 4 " of the diverter.  
Verify hydraulic systems.

**MAINTENANCE:**

Make a proper cleaning with water and soap, do not use abrasive or corrosive products.

**PRODUCT COMPOSITION:**

N° 1 pull diverter

**MATERIALS:**

**TREATEMENTS:**

**TOLERANCES:**

**PACKAGING OF THE PRODUCT:**

The above mentioned information cannot be considered as binding. Thermomat Saniline S.r.l. reserves the right to make technical and aesthetic changes without any prior notice.

ST_PRODOTTO: 498 - 1	APPROVATO R.T.
REV.00 DEL 22/01/15	