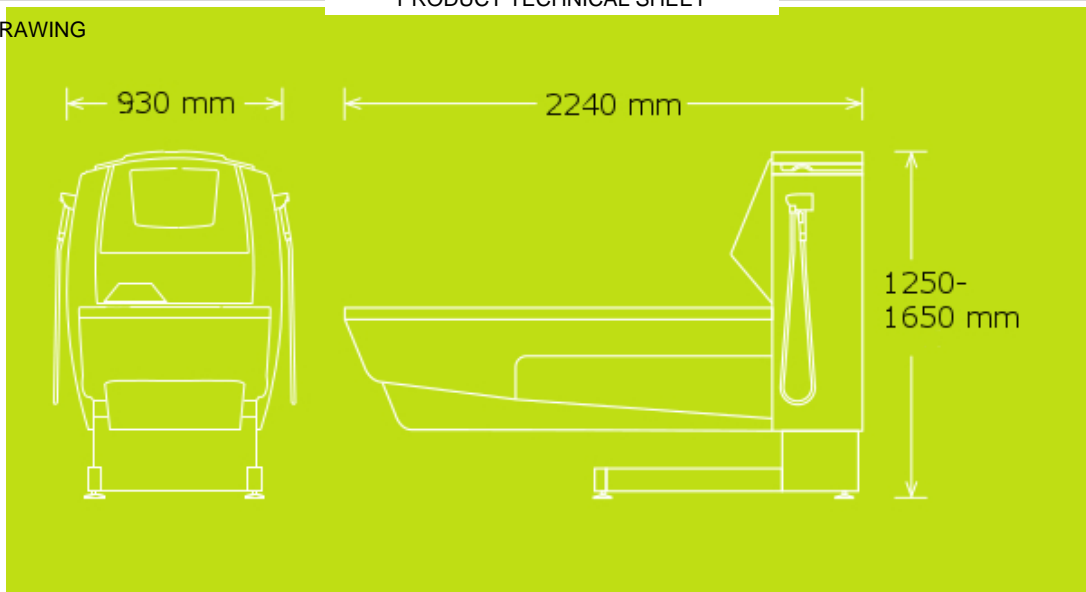


TECHNICAL DRAWING



PHOTO



**PRODUCT FAMILY:** BATHTUBS  
**CODE:** VRA10N  
**DESCRIPTION:** Height adjustable bathtub

**MECHANICAL PERFORMANCES:**

**APPROVALS/CERTIFICATIONS:**  
 TUV system certification UNI EN ISO 9001:2008.  
 Declaration of Conformity according to European Medical Device Directive 93/42.  
 Reference regulations: Pr EN 1874; UNI EN 12182; UNI CEI EN ISO 14971; UNI EN 1041.

**PRODUCT FEATURES:**

Height adjustable bathtub to ease taking care and washing people, practical and comfortable for the utmost wellness and comfort of the user and to ease the job of the nursing staff. An electrical control panel, activated by a keyboard, allows to adjust the bathtub's height and the water level and to preset the water temperature in the bathtub and at the shower heads. Filling is automatic until the preset water level is reached, however, it can be stopped manually at any time. The water temperature can be adjusted by means of a thermostat, featuring an antiscalding device for both bathtub and shower, and can be viewed on the digital display on the control panel. The bathtub is easy and safe to use, its integrated handholds ensure a safe entry into and exit from the bathtub. Shower head with self-closing valve and white 210 cm long hose. Built-in shampoo and bath oil dispenser: the dosing pumps are activated by buttons on the control panel. Discharge system activated manually by means of a twist knob. N. 2 lifting cylinders with stabilizers, made of stainless steel and acid-resistant. The integrated battery ensures its essential functions can be performed even in case of power failure. The bathtub can be freestanding or wall-mounted.

**OPTIONS:**

- disinfection system activated by a manual shower device (art. VD10): disinfecting shower with red hose, 200cm long, with self-closing valve; the disinfecting agent is supplied by an injector, its dosing is adjustable; the disinfection unit is not linked to a specific disinfection product, it is set to work with commercially available products (5lt bins);  
 - art. IDR001, water massage with patented jet system, with no piping, self-emptying and disinfectable; n. 2 jets are positioned on the foot-facing side of the bathtub and are activated operating on the control panel; they can be adjusted separately.  
 Warning: the picture shows the bathtub complete with all options.

**FIXING/INSTALLATION:**

Position the bathtub and connect the drain.

**MAINTENANCE:**

Check the correct fastening of the connections periodically.  
 Perform a proper cleaning with water and soap, do not use abrasive, decoloring (methylene blue, iodine, potassium permanganate), chemical aggressive (chlorine, solvents) or corrosive agents.

The above mentioned information cannot be considered as binding. Thermomat Saniline S.r.l. reserves the right to make technical and aesthetic changes without any prior notice.

ST_PRODOTTO: VRA10N	- 1	APPROVATO
REV.00 DEL 27/04/116		R.T.

**Thermomat Saniline s.r.l.**  
 ISO 9001 Quality Management System certified by TÜV Italia Srl since 2005  
 Via M. Curie, 7 - 46034 Borgo Virgilio (Mantova) ITALY  
 Tel. + 39 0376 4473  
 www.thermomat.com - info@thermomat.com

# Thermomat

**PRODUCT COMPOSITION:**  
N° 1 bathtub

**PRODUCT PACKAGING:**  
Positioned on pallet  
Weight: - kg

The above mentioned information cannot be considered as binding. Thermomat Saniline S.r.l. reserves the right to make technical and aesthetic changes without any prior notice.

ST_PRODOTTO: VRA10N - 1	APPROVATO R.T.
REV.00 DEL 27/04/116	

**Thermomat Saniline s.r.l.**  
ISO 9001 Quality Management System certified by TÜV Italia Srl since 2005  
Via M. Curie, 7 - 46034 Borgo Virgilio (Mantova) ITALY  
Tel. + 39 0376 4473  
[www.thermomat.com](http://www.thermomat.com) - [info@thermomat.com](mailto:info@thermomat.com)